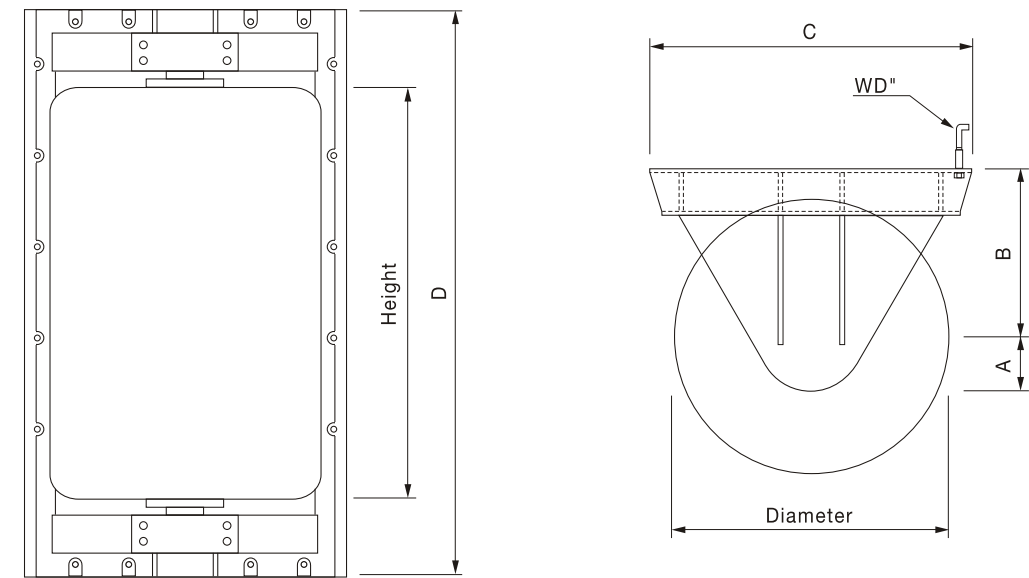
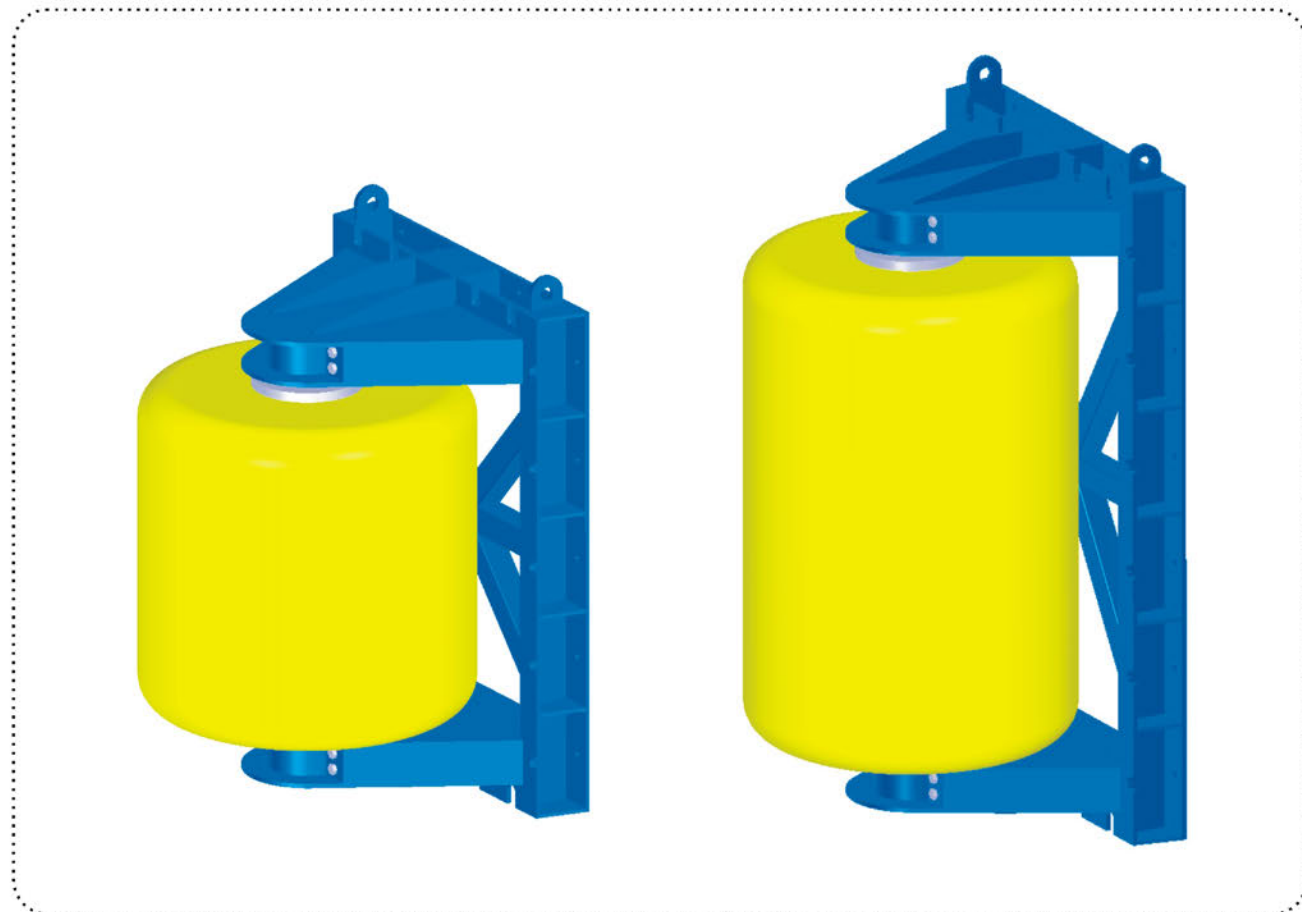


Roller Fender

Roller fenders use well-established foam-filled fender technology, which is designed to absorb large impacts and prevent vessels from taking damage. Their simple one-roll structure and larger contact area provides vessels with lower hull pressure than conventional roller fender's to avoid vessel damage.

It is constructed with the flexible skin of filament-reinforced polyurea elastomer and closed-cell PE form. The size will be decided by its required performance value. Customized colors are available.

- Absorbing large impacts
- Low hull pressure
- Simple structure
- Abrasion resistance
- Customized colors and designs available
- Low maintenance and long life time



Compounds		Frame Dimension					Standard Capacity		High Capacity	
Roller Diameter	Roller Height	WD"	A	B	C	D	흡수E (ton*m)	반발력R (ton)	흡수E (ton*m)	반발력R (ton)
600	600	7/8	120	450	700	1240	0.3	9	0.4	13
600	900	7/8	120	450	700	1540	0.4	13	0.6	20
750	750	7/8	150	525	900	1430	0.5	14	0.8	21
750	1,125	7/8	150	525	900	1805	0.8	21	1.2	31
900	900	1	180	600	1050	1690	0.9	20	1.4	30
900	1,350	1	180	600	1050	2140	1.4	30	2.0	44
1,200	1,200	1 1/8	240	800	1400	2040	2.2	35	3.2	53
1,200	1,800	1 1/8	240	800	1400	2640	3.3	53	4.8	79
1,500	1,500	1 1/4	300	950	1750	2450	4.2	55	6.3	82
1,500	2,250	1 1/4	300	950	1750	3200	6.4	83	9.4	123
1,800	1,800	1 1/2	360	1100	2100	2800	7.3	80	10.9	118
1,800	2,700	1 1/2	360	1100	2100	3700	11.0	120	16.3	177
2,100	2,100	1 3/4	420	1300	2400	3260	11.6	109	17.2	161
2,100	3,150	1 3/4	420	1300	2400	4310	17.5	163	25.8	241
2,400	2,400	2	480	1450	2700	3660	17.4	142	25.7	210
2,400	3,600	2	480	1450	2700	4860	26.1	213	38.6	315
2,700	2,700	2 1/4	540	1600	3150	4060	24.7	180	36.6	266
2,700	4,050	2 1/4	540	1600	3150	5410	37.1	270	54.9	399
3,000	3,000	2 1/4	600	1750	3500	4480	33.9	222	50.2	328
3,000	4,500	2 1/4	600	1750	3500	5980	50.9	333	75.4	493

The tolerance shall be ±10%